

BONALDO

Remo

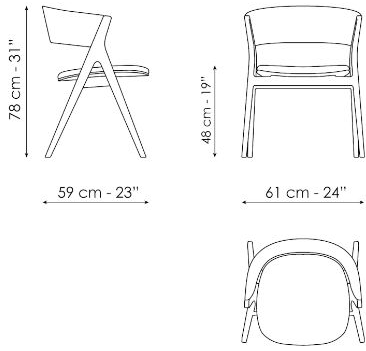


Remo, a chair with an evocative name, draws its inspiration from the image of a person rowing a boat across a stretch of water. In actual fact, the front and rear legs are joined as if to form a pair of moving oars. The pattern of the legs highlights this sense of dynamism, while the continuity in the frame

enhances the warmth and solidity of the solid wood which is available in different shades. The curved back makes this seat welcoming and ideal for placing around a table in the dining area or for greater comfort in a work space.



Data sheet



Remo

Width: 59cm

Depth: 61cm

Height: 78cm

Finishes

LEGS

Wood



Solid wood
Coal ash



Solid wood
Natural ash



Solid wood
Walnut Canaletto

Materials, fabrics, leathers, colors and finishes are approximate and may slightly differ from actual ones. You can find the complete collection of Bonaldo fabrics and leathers on the website

