

Ibiza armchair

by Eugeni Quitllet

“Every idea comes from the light and the sea as life does...

From the ephemeral beauty of a season to an everlasting piece to keep this moment of a dream in a permanent frame.

Observing the plastic objects brought by the sea, like artificial shells, it inspired me a unique **designer furniture collection** made of **recycled plastics** from the island.

Ibiza is an emotional state of mind. Together with **Vondom**, this dream has become true: **Ibiza** eco-collection is born.”

by Eugeni Quitllet



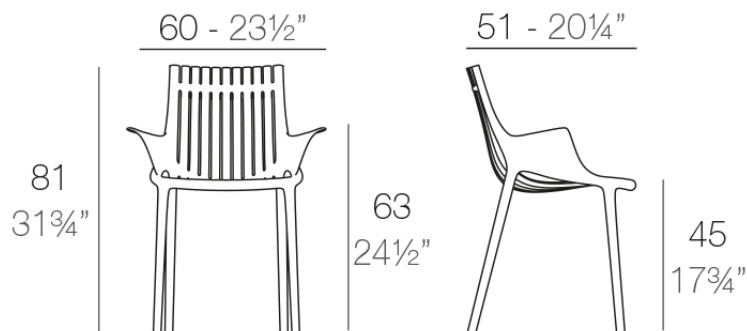
Info

Description

Made from polypropylene and reinforced with fiberglass manufactured by gas injection. Stackable . Available in various colors. Suitable for indoor and outdoor use.

In addition, the “Vondom Revolution” finish means it is made from 100% recycled plastic from the Mediterranean sea.

Weight: 5.66 Kg



IBIZA Sillón
IBIZA Armchair

Accessories

- **Fabric**

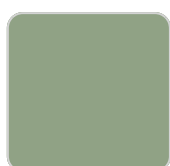
Fabric

Finishes

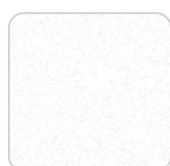
finishes

BASIC PP

Ref. 65041



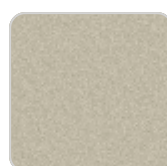
pickle



white



black



ecru

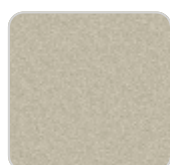
Available in various colors

VONDOM REVOLUTION

Ref. 65041VR



milos



cala



manta

Recycled polypropylene from fishing nets, recycled plastic from the Balearic Islands and bottles collected from our seas.

Ambients

