

# BONALDO

## Cop

Designer: **Roberto Paoli**

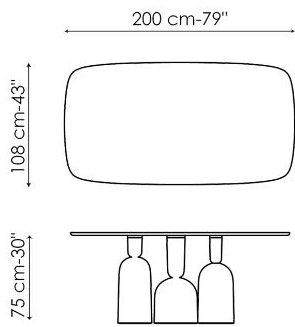


In everyday life, tables are normally covered with various objects but the surface of the Cop tabletop, with its innovative table leg design, is like a stretch of water on which the objects are upturned to form its unusual base. Stylised elements inspired by bottles, precious chalices and champagne glasses, appear in various shapes and sizes and are immediately striking, even in their unusual position. The

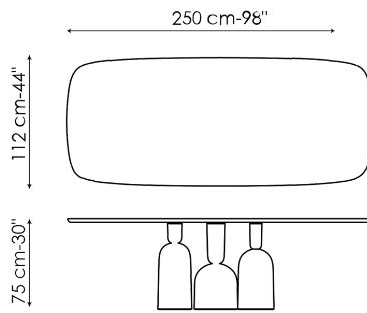
top is a neutral element yet, at the same time, it is the dividing line of the world that it reflects. Flexible lines and careful formal research create a table intended to bring people and ideas together. The base of the Cop table is in painted metal, in a single colour or in burnished, matt brass or matt copper finishes. The fixed top is available in wood, ceramic or marble and can be round or with rounded edges.



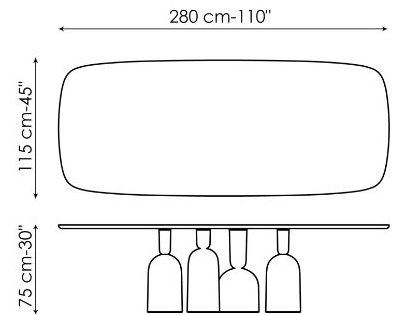
# Data sheet



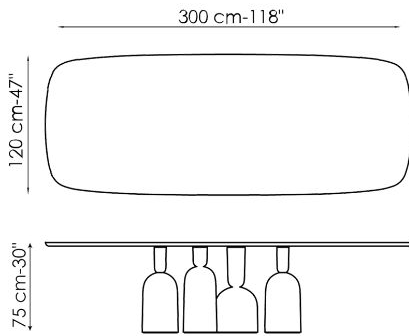
Width: 200cm  
Depth: 108cm  
Height: ± 75cm



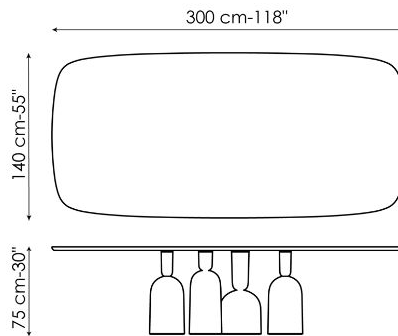
Width: 250cm  
Depth: 112cm  
Height: ± 75cm



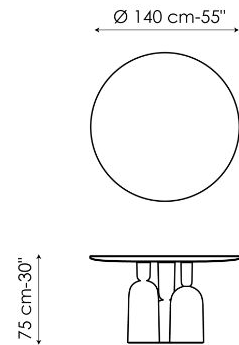
Width: 280cm  
Depth: 115cm  
Height: ± 75cm



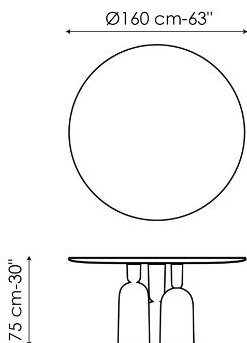
Width: 300cm  
Depth: 120cm  
Height: ± 75cm



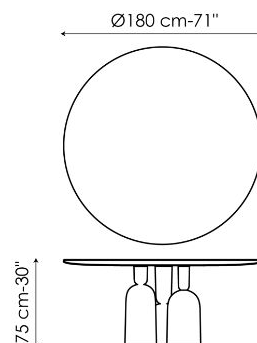
Width: 300cm  
Depth: 140cm  
Height: ± 75cm



Width: 140cm  
Depth: 140cm  
Height: ± 75cm



Width: 160cm  
Depth: 160cm  
Height: ± 75cm



Width: 180cm  
Depth: 180cm  
Height: ± 75cm

# Finishes

## BARREL-SHAPED TOP

### Wood



**Veneered wood**  
Walnut Canaletto



**Solid wood**  
American walnut



**Solid wood**  
Brushed natural oak



**Solid wood**  
Brushed coal oak

### Ceramic



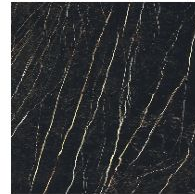
**Silk finish ceramic**  
Calacatta macchia  
vecchia



**Glossy ceramic**  
Calacatta



**Mat ceramic**  
Ardesia grey



**Mat ceramic**  
Laurent



**Glossy ceramic**  
Imperial grey



**Glossy ceramic**  
Black Onyx



**Glossy ceramic**  
Mountain peak



**Glossy ceramic**  
Rosso imperiale



**Mat ceramic**  
Alaska White



**Mat ceramic**  
Augusta

## Marble



**Marble**  
Carrara



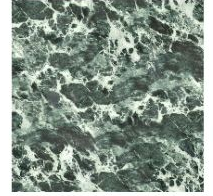
**Marble**  
Calacatta



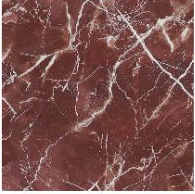
**Marble**  
Emperador



**Marble**  
Marquina



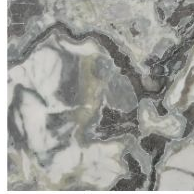
**Marble**  
Saint Denis



**Marble**  
Rosso Carpazi



**Marble**  
Fior di bosco



**Marble**  
Dover White



**Marble**  
Travertino Romano

---

## ROUND TOP

### Wood



**Solid wood**  
Brushed natural oak



**Solid wood**  
Brushed coal oak



**Solid wood**  
American walnut



## Ceramic



**Mat ceramic**  
Ardesia grey



**Silk finish ceramic**  
Calacatta macchia  
vecchia



**Glossy ceramic**  
Calacatta



**Mat ceramic**  
Laurent



**Glossy ceramic**  
Imperial grey



**Glossy ceramic**  
Black Onyx



**Glossy ceramic**  
Mountain peak



**Glossy ceramic**  
Rosso imperiale



**Mat ceramic**  
Alaska White



**Mat ceramic**  
Augusta

## Marble



**Marble**  
Calacatta



**Marble**  
Carrara



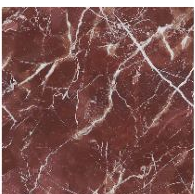
**Marble**  
Emperador



**Marble**  
Marquina



**Marble**  
Saint Denis



**Marble**  
Rosso Carpazi



**Marble**  
Fior di bosco



**Marble**  
Travertino Romano

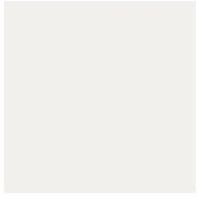


**Marble**  
Dover White

---

# BASE

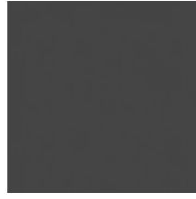
## Metal



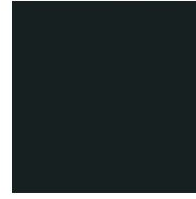
**Painted metal**  
Mat white



**Painted metal**  
Mat dove grey



**Painted metal**  
Supreme anthracite



**Painted metal**  
Mat black



**Painted metal**  
Mat brown

## Plus Metal



**Painted metal**  
Mat bronze



**Painted metal**  
Mat lead



**Painted metal**  
Mat copper



**Painted metal**  
Mat brass



**Painted metal**  
Mat pearl gold

## Special Metal



**Metal finish**  
Burnished



**Metal finish**  
Clouded chrome



**Metal finish**  
Brown nickel



**Metal finish**  
Dark nickel

---

Materials, fabrics, leathers, colors and finishes are approximate and may slightly differ from actual ones. You can find the complete collection of Bonaldo fabrics and leathers on the website

