

BONALDO

Cuff

Designer: **Mauro Lipparini**

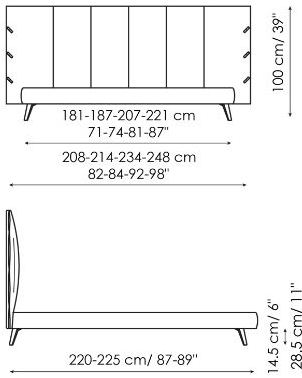


The Cuff bed frame with upholstered headboard, available in double or single versions, is a bed that is made elegant by the exquisite details that give it character, such as the frog fastenings dotting the two flaps of the padded headboard, the pleating that runs vertically, the leather inserts that also enrich the bed frame and the painted metal feet in sophisticated hues. Available with completely removable cover in fabric, leather or eco-leather, Cuff is produced in various versions: with higher headboard (Cuff hi), with thicker

bed frame, low feet in painted wood and low (Cuff plus) or high (Cuff hi plus) headboard. In the versions with storage (Cuff open and Cuff hi open), valuable additional space is available for storing covers, cushions and everything necessary for the bedroom. The Cuff easy open and Cuff hi easy open versions are furnished with a convenient storage space and also a double-action mechanism that allows the bed surface to be completely raised to facilitate making and cleaning the bed.

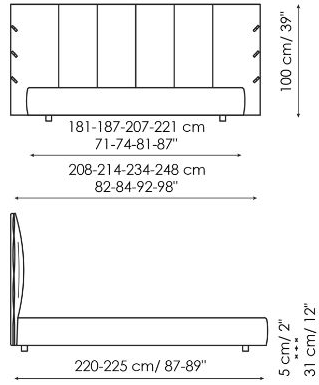


Data sheet



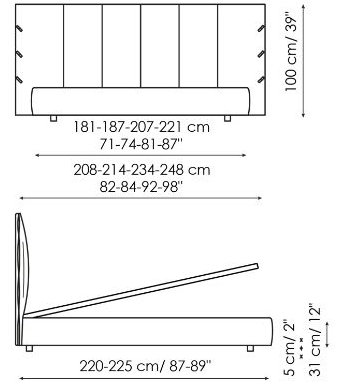
Cuff

Width: 208-214-234-248cm
 Depth: 220-225cm
 Height: 100cm



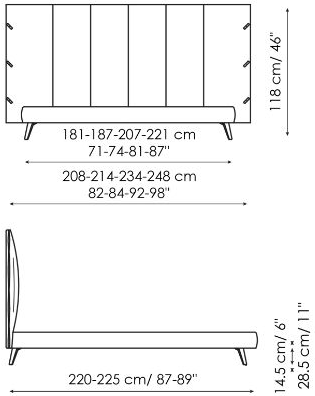
Cuff plus

Width: 208-214-234-248cm
 Depth: 220-225cm
 Height: 100cm



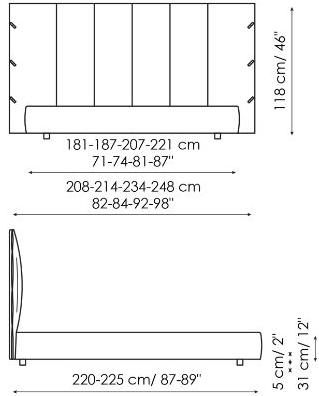
Cuff open

Width: 208-214-234-248cm
 Depth: 220-225cm
 Height: 100cm



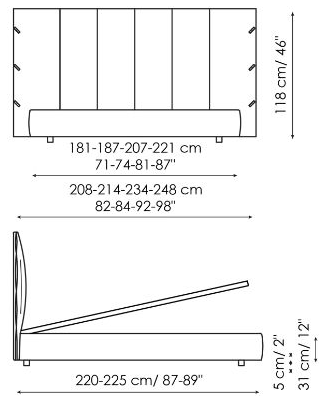
Cuff hi

Width: 208-214-234-248cm
 Depth: 220-225cm
 Height: 118cm



Cuff hi plus

Width: 208-214-234-248cm
 Depth: 220-225cm
 Height: 118cm



Cuff hi open

Width: 208-214-234-248cm
 Depth: 220-225cm
 Height: 118cm

Finishes

FEET - CUFF

Metal



Painted metal
Mat white



Painted metal
Mat dove grey



Painted metal
Supreme anthracite



Painted metal
Mat black

Plus Metal



Painted metal
Mat bronze



Painted metal
Mat lead



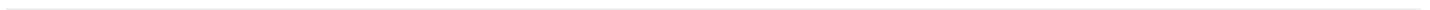
Painted metal
Mat pearl gold

FEET - CUFF PLUS, CUFF OPEN

Wood



Painted wood
Anthracite grey



Materials, fabrics, leathers, colors and finishes are approximate and may slightly differ from actual ones. You can find the complete collection of Bonaldo fabrics and leathers on the website

