

BONALDO

Dune

Designer: **Giuseppe Viganò**

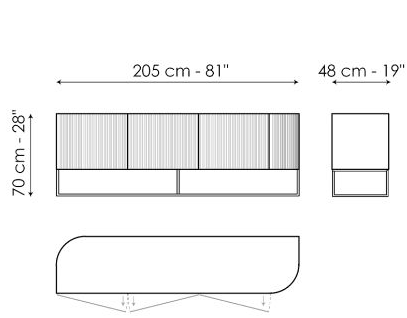


The wooden front doors feature a wavy surface that creates an alternation of light and shadow, while the metal base has an asymmetrical design that enhances the horizontal structure of the sideboard. Dune is a design wooden sideboard with a rigorous style, which is also extremely elegant and meticulously designed down to the last detail. It

is an element that fits perfectly into both a private home and an office. The Dune sideboard is available in two different colour combinations: bronze lacquered wood outer frame, Canaletto walnut doors and bronze-coloured metal base or lead lacquered wood outer frame, coal ash doors and lead-coloured metal base.

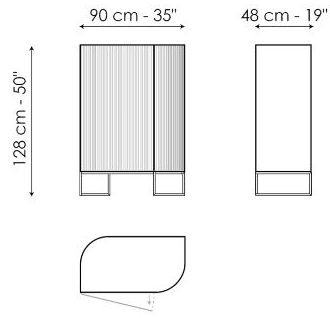


Data sheet



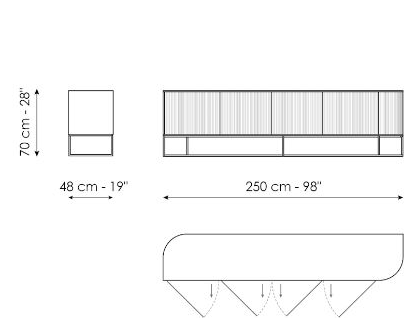
Dune

Width: 205cm
Depth: 48cm
Height: 70cm



Dune high

Width: 90cm
Depth: 48cm
Height: 128cm



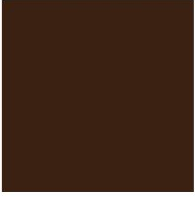
Dune 250

Width: 250cm
Depth: 48cm
Height: 70cm

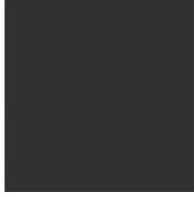
Finishes

OUTSIDE FRAME

Wood



Lacquered wood
Mat bronze



Lacquered wood
Mat lead

DOORS

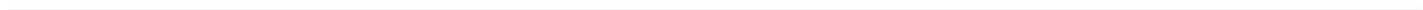
Wood



Veneered wood
Walnut Canaletto



Veneered wood
Coal oak



BASE

Plus Metal



Painted metal
Mat bronze



Painted metal
Mat lead

TOP - DUNE 250

Ceramic



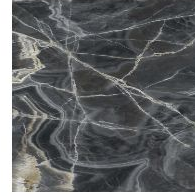
Mat ceramic
Alaska White



Mat ceramic
Ardesia grey



Mat ceramic
Augusta



Glossy ceramic
Black Onyx



Glossy ceramic
Calacatta



Silk finish ceramic
Calacatta macchia
vecchia



Glossy ceramic
Imperial grey



Mat ceramic
Laurent



Glossy ceramic
Rosso imperiale



Glossy ceramic
Mountain peak

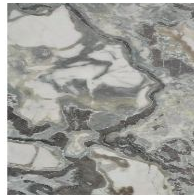
Marble



Marble
Calacatta



Marble
Carrara



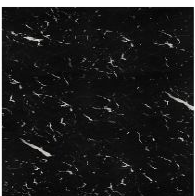
Marble
Dover White



Marble
Emperador



Marble
Fior di bosco



Marble
Marquinia



Marble
Rosso Carpazi



Marble
Saint Denis



Marble
Travertino Romano

Materials, fabrics, leathers, colors and finishes are approximate and may slightly differ from actual ones. You can find the complete collection of Bonaldo fabrics and leathers on the website