

# BONALDO

## Owen

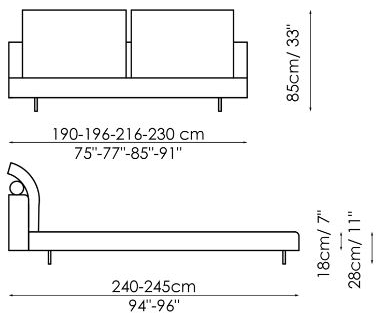


Owen is a modern design bed with strict, clean and timeless lines that can be included in any context without disrupting its essential character. Arranged in an orderly way in an impeccable visual balance, the abundant volumes of the headboard, made up of two large cushions supported by a padded bolster, enhance the sober and essential lines of the bed frame. The removable cover is made of fabric, leather or

eco-leather while the feet are in painted metal, available in different colours. In the embroidered version (Owen ego), the cover is made of fabric; part of the bed frame is also embellished with embroidery that, in contrast with the simplicity of the cushions that form the headboard, add a sense of dynamism to the whole.



# Data sheet

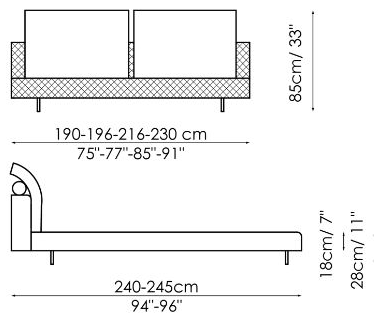


## Owen

Width: 190-196-216-230cm

Depth: 240-245cm

Height: 85cm



## Owen ego

Width: 190-196-216-230cm

Depth: 240-245cm

Height: 85cm

# Finishes

## FEET

### Metal



**Painted metal**  
Mat white



**Painted metal**  
Mat dove grey



**Painted metal**  
Supreme anthracite



**Painted metal**  
Mat black

### Plus Metal



**Painted metal**  
Mat pearl gold



**Painted metal**  
Mat bronze



**Painted metal**  
Mat lead

---

Materials, fabrics, leathers, colors and finishes are approximate and may slightly differ from actual ones. You can find the complete collection of Bonaldo fabrics and leathers on the website

