

# BONALDO

## Element

Designer: **Alain Gilles**



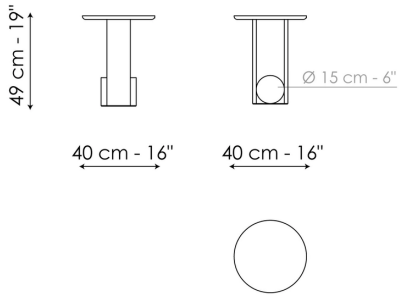
Within Element, designer Alain Gilles transforms the classic coffee table base into a characteristic element: a cylinder in concrete or travertine finish becomes the focal point of the accessory, on which the wooden structure rests. A game of perspectives gives Element the ability to change shape

depending on the point of view, a characteristic shared by many products created by the Belgian designer. The coffee table is available in two different heights and in combinations of Canaletto walnut and carbon oak, which can be freely combined with concrete or marble to adapt to any context.



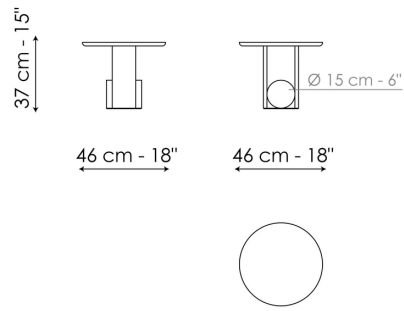
# Data sheet

1500



**Element high**  
Width: 40cm  
Depth: 40cm  
Height: 49cm

1500



**Element low**  
Width: 46cm  
Depth: 46cm  
Height: 37cm

# Finishes

## FRAME

### Wood



**Veneered wood**  
Walnut Canaletto



**Veneered wood**  
Coal oak

---

## BASE

### Concrete



**Concrete**  
Travertin look



**Concrete**  
Grey

---

Materials, fabrics, leathers, colors and finishes are approximate and may slightly differ from actual ones. You can find the complete collection of Bonaldo fabrics and leathers on the website