

BONALDO

Isola mirror

Designer: **Mario Mazzer**



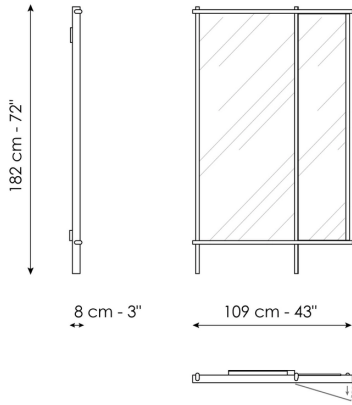
The freedom to reflect at ease, tilting a part of the mirror to reflect images from every perspective and visualize every little detail. This is the idea behind Isola, a mirror surrounded and supported by solid wood profiles with an oval section and a moveable flag wing. The value of the asymmetric frame in American walnut lies

in its lack of balance: the mobile part is in fact what makes the mirror more functional, making this complement ideal for the sleeping area, but also for other rooms of the house such as entrances, corridors or walk-in closets.



Data sheet

1500



Isola mirror

Width: 8cm

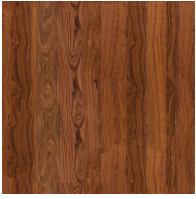
Depth: 109cm

Height: 182cm

Finishes

FRAME

Wood



Solid wood
American walnut

Materials, fabrics, leathers, colors and finishes are approximate and may slightly differ from actual ones. You can find the complete collection of Bonaldo fabrics and leathers on the website