

BONALDO

Isola

Designer: **Mario Mazzer**



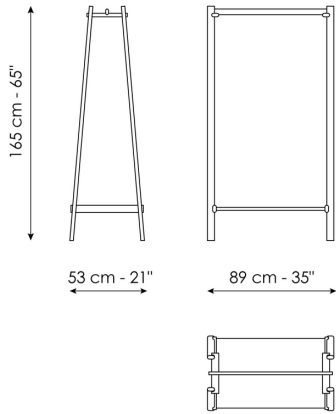
Isola is a clothes hanger with clearly recognizable shapes: the idea was actually developed from a platform supported by trestle uprights. As its name indicates, it was conceived as an island to support a walk-in wardrobe or as a comfortable, informal

wardrobe in an entrance area. Its light and essential design creates a welcoming atmosphere thanks to the use of solid wood in the warm shades of American walnut.



Data sheet

1500



Isola

Width: 53cm

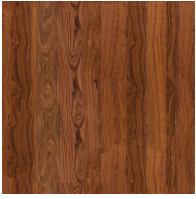
Depth: 89cm

Height: 165cm

Finishes

FRAME

Wood



Solid wood
American walnut

Materials, fabrics, leathers, colors and finishes are approximate and may slightly differ from actual ones. You can find the complete collection of Bonaldo fabrics and leathers on the website