

ARKETIPO / INDOOR

SOFA MILKY WAY



STRUCTURE: wood.

FRAME AND ARMS UPHOLSTERY: multi-density expanded polyurethane (HR30/28+T30P+T40P) covered with resin lining 100gr.

SEAT CUSHION UPHOLSTERY: multi-density expanded polyurethane (T35+MPH40) covered with coupled cotton and resin lining (Olisupht 230gr).

BACK CUSHION UPHOLSTERY: outer cover in downproof cotton coupled with resin lining; filling in mixed feathers (70% goose feathers and 30% polyester fibre).

BACK SUPPORT: expanded polyurethane T40P covered with resin lining 100gr and cotton 20/24.

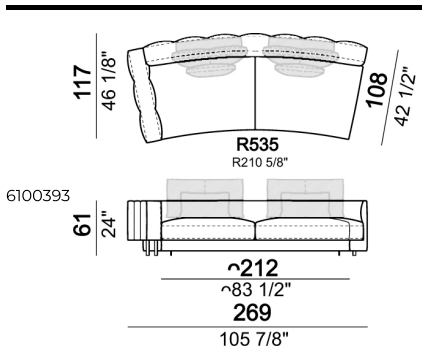
SPRINGING: elastic belts.

SEAT HEIGHT: 42 cm.

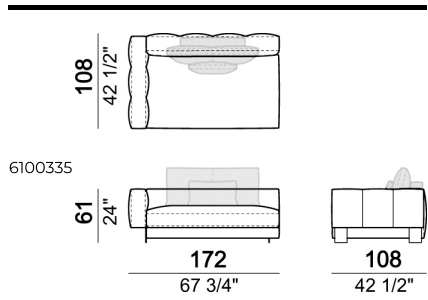
ARM HEIGHT: 61 cm.

FEET: Metal, micaceous brown varnished or black nickel, h.5 cm.

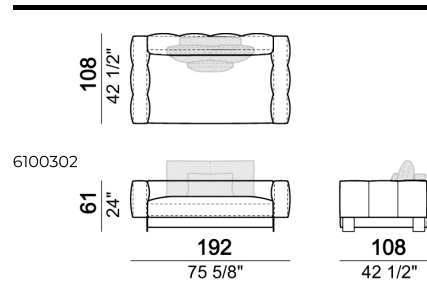
Right or left semicircular unit



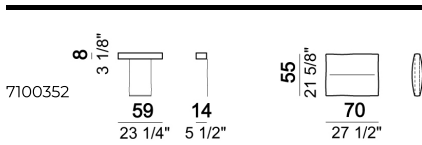
Right or left unit



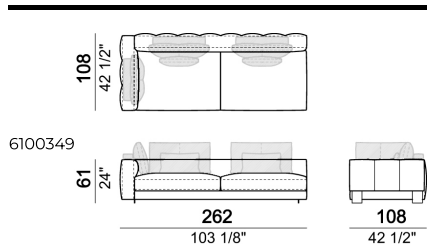
Sofa



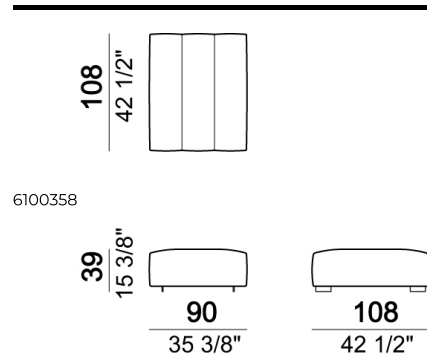
Back cushion set



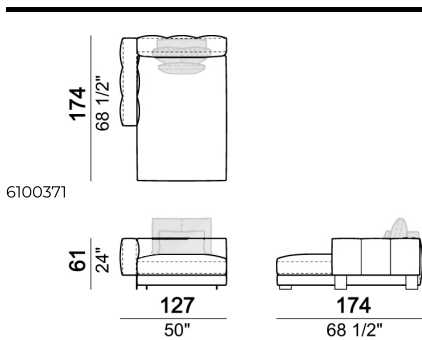
Right or left corner unit



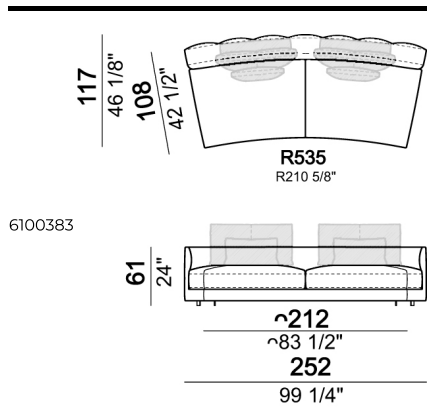
Pouf



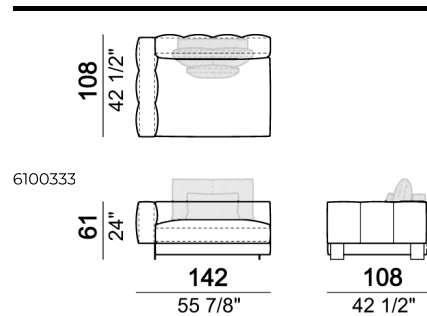
Chaise-longue with right or left short arm



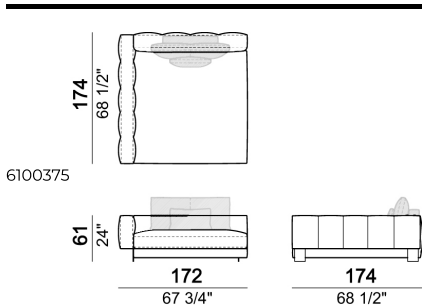
Central semicircular unit



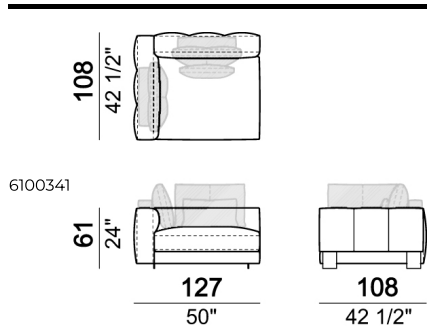
Right or left unit



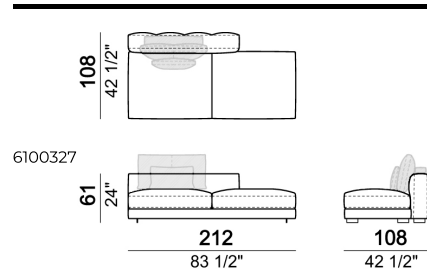
Daybed with right or left long arm



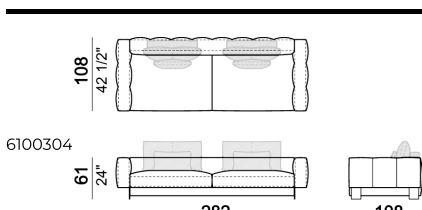
Right or left corner unit



Central unit with right or left pouf



Sofa



Back cushion set



Chaise-longue with right or left short arm

