

# **BONALDO**

## Aspen

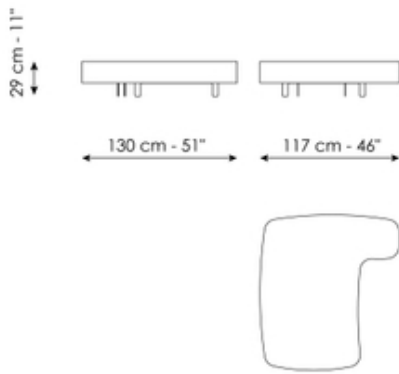
Designer: Massimo Castagna



Aspen is a collection of coffee tables characterised by the irregular shape of the top. The surface features a recessed section on one side, defining the distinctive feature of the design and creating a soft, flowing geometry. A thin edge follows the perimeter with a clean, essential line, enhancing the material of the top, available in glass or ceramic.

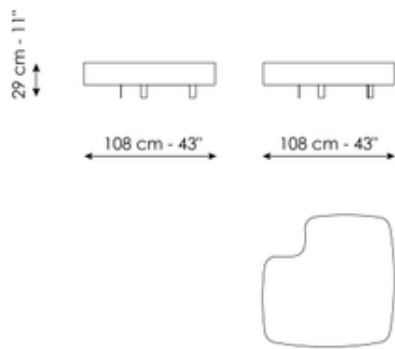
The shape of the tables makes them complementary and allows them to be combined in different configurations: the two elements can come together to expand the available surface or be used separately, adapting to different spatial needs. When used individually, they can be placed alongside sofas and armchairs as independent elements, bringing both function and character to different areas of the space.

# Data sheet



## Aspen 130

Width: 117cm  
Depth: 130cm  
Height: 29cm



## Aspen 108

Width: 108cm  
Depth: 108cm  
Height: 29cm

# Finishes

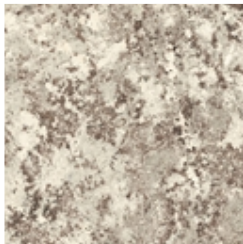
## Top



**Glass**  
Glossy brown



**Glass**  
Glossy grey



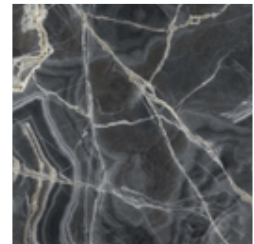
**Mat ceramic**  
Alaska White



**Mat ceramic**  
Ardesia grey



**Mat ceramic**  
Augusta



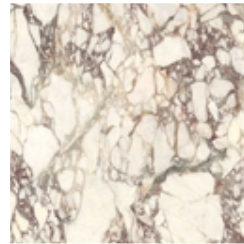
**Glossy ceramic**  
Black Onyx



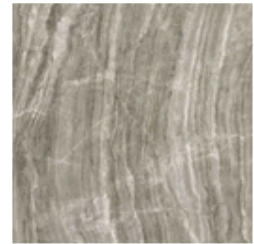
**Glossy ceramic**  
Calacatta



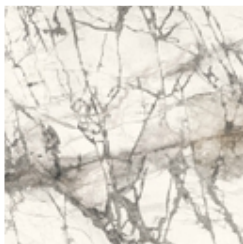
**Silk finish ceramic**  
Calacatta macchia vecchia



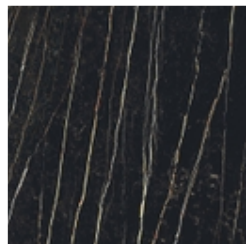
**Glossy ceramic**  
Calacatta Viola



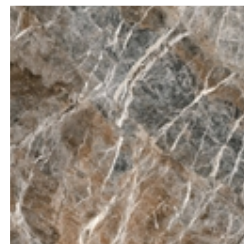
**Silk finish ceramic**  
Daino Grigio



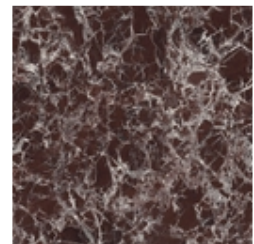
**Glossy ceramic**  
Imperial grey



**Mat ceramic**  
Laurent



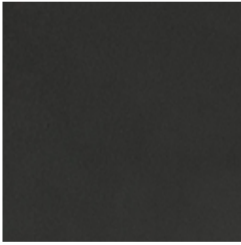
**Glossy ceramic**  
Mountain peak



**Glossy ceramic**  
Rosso imperiale

---

## Base



**Painted metal**  
Mat lead



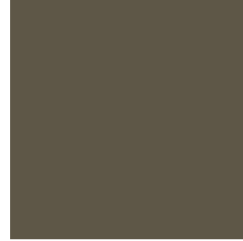
**Painted metal**  
Mat bronze



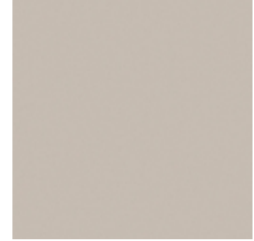
**Metal finish**  
Clouded chrome



**Metal finish**  
Bright nickel



**Metal finish**  
Brown nickel



**Metal finish**  
Champagne nickel



**Metal finish**  
Dark nickel

---

Materials, fabrics, leathers, colors and finishes are approximate and may slightly differ from actual ones. You can find the complete collection of Bonaldo fabrics and leathers on the website <https://bonaldo.biz>